



# HydrauPack 45

## Features

- Horsepower compensation
- Open hydraulic circuit with pressure and load sense control
- Flushing connection for separate low pressure flushing
- Including certified shackles
- Integrated hydraulic oil circulation cooler
- Combinable with one or more HP 35 units for higher output flow

## Benefits

**24/7**

24/7 (de)mobilisation, installation and commissioning



Maintenance during the project

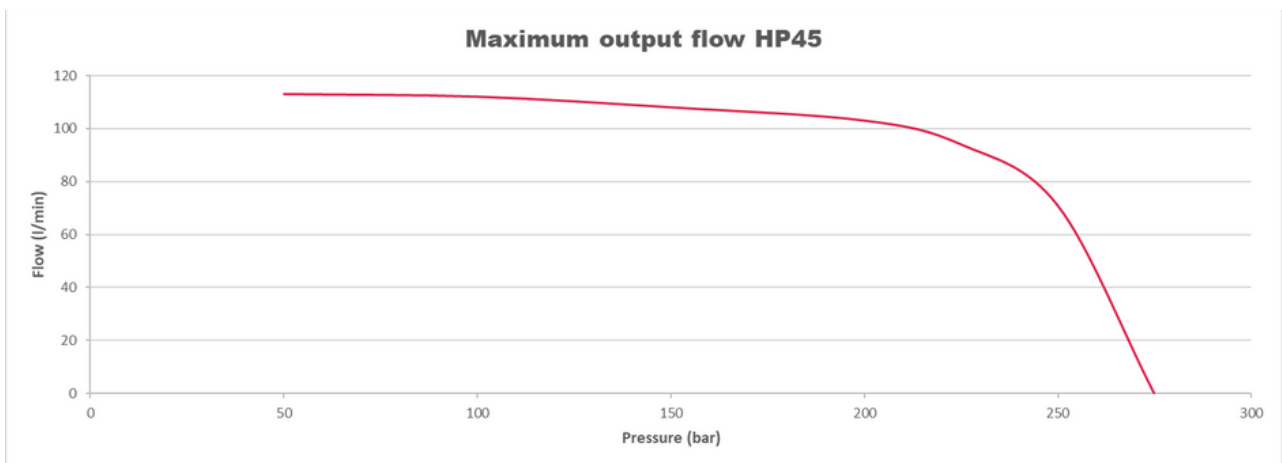
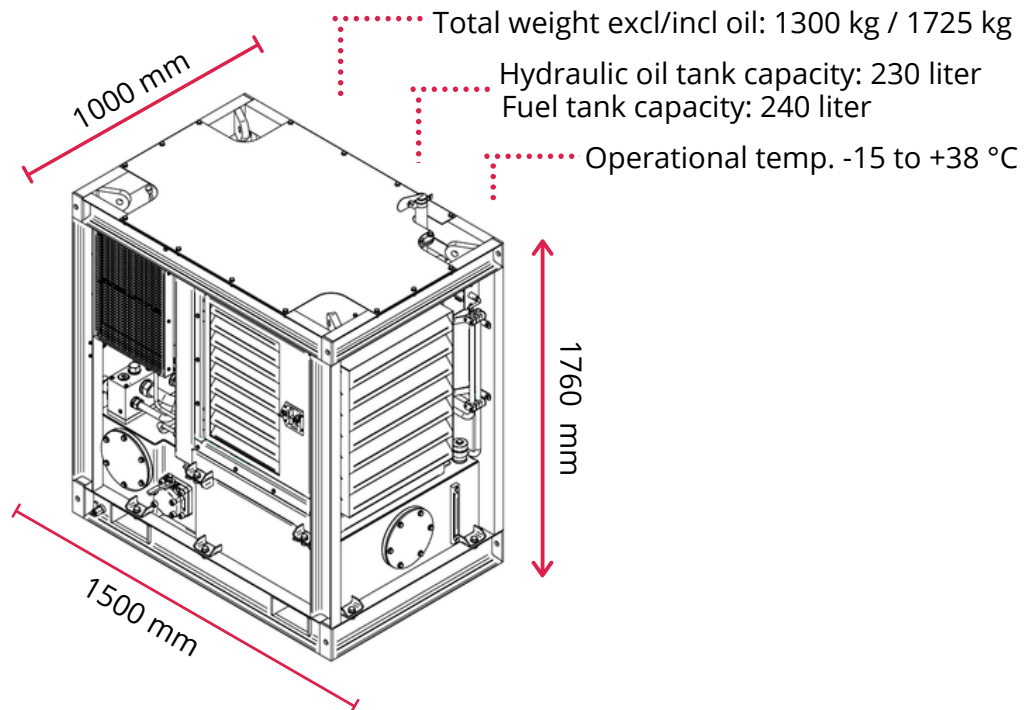


Guaranteed flexibility and high availability



Clear budget and manageable costs

## Specifications HP45



Max. working pressure	300 bar
Max. output flow	120 liter/min @ 3000 rpm
Total engine power	45 kW (25 °C)
Pressure (P)	30 S
Return (T)	42 L
Leak	28 L
Load sense	12 S
Flush	16 S
Tank drain	28 L